



TECHNOLOG

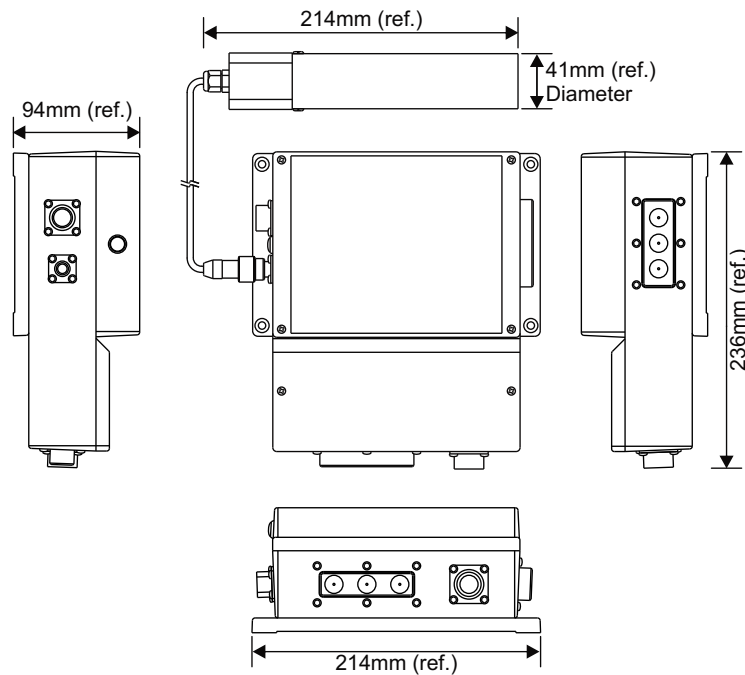


Newlog 4 Profiler (Autogas) - Pressure Profiling Control System

The Newlog 4 Profiler (Autogas) is an intrinsically safe (zone 0) battery powered data logger and controller. When combined with a twin diaphragm pilot it adjusts the set point of the regulator to maintain a constant pressure at the extremity to reduce leakage.

- 128K memory
- Multiple pressure, temperature and flow inputs
- Capable of recording regulator inlet, outlet and control pressure
- Programmable alarm dial-out

Technical Specifications



- Analogue Inputs** 4 channels available for pressure, temperature or current loop. All channels sampled instantaneously at logging interval.
 Channel 1 ("outlet" pressure) may be sampled alternatively at 10Hz and summary of min, max, mean and standard deviation stored at the logging interval. Standard pressure ranges (gauge pressure below 10 bar, absolute 10 bar and above):
 0 - 100 mbar, 0 - 200 mbar, 0 - 300 mbar, 0 - 500 mbar, 0 - 1 bar, 0 - 5 bar, 0 - 10 bar, 0 - 15 bar, 0 - 20 bar, 0 - 30 bar, 0 - 40 bar, 0 - 45 bar, 0 - 50 bar (other ranges available upon request)
 +/- 0.5% accuracy/resolution
 Temperature input: PRT 100, with 3-wire compensation
 Current loop inputs: 4-20 mA, externally powered, non-isolated (3 channels max)
- Digital Inputs** 8 channels available for 0-3V digital signal or volt-free contacts (including open-collector / drain outputs)
 State input (8 channels max): record date and time of events and generate alarms
 Pulse input (2 channels max): count pulses (e.g. flowmeter) and record total for each logging interval. Maximum rate 10Hz
- Data Storage** 128 Kbyte solid state, non - volatile. Rotating store or store until full, time-based recording
- Clock** Type: Crystal controlled calendar clock with leap year adjustment
 Accuracy: 5 minutes per year over operating temperature range
- Supply** Back up cell: Supports data logging functions only
 Main battery: User replaceable 7.2V 13Ahr, typical battery life 12 months dependent onsite conditions
- Intrinsic Safety** Autogas: EEx ia T4 (Ta: -20 to +60 Deg. C.); Certificate number SIRA 03ATEX2180X
 Battery pack: Ex ia IIC T4 Ga (Ta: Tamb = -20 to +60 Deg. C); Certificate numbers: SIRA 03ATEX2196X / IECEx SIR 09.0150X
- Environmental** Operating temperature: -20°C to +50°C
 Autogas: IP53
 Battery module: IP55

Newlog 4 Profiler (Autogas) - Pressure Profiling Control System

For further information contact: