

eTOP507MFB Tech-Note

The eTOP507MFB is an HMI product specifically designed for applications in food and beverage industry. Product design conforms to the guidelines in DIN EN 1672-2 "Food processing machinery – Safety and hygiene requirements". The stainless steel bezel is safe and resistant to the most critical conditions; the profile allows easy cleaning. Front foil is in polyester. Gasket is conforming to food standards. The protection degree IP69K allows for high-pressure, high-temperature cleaning. The product can be installed in food areas without any additional protection.

The eTOP507MFB features a high-brightness, contrast-enhanced ruggedized 7" TFT widescreen (16:9) display with LED backlight. The durable projected capacitive touchscreen requires the human touch, eliminating false activations, can be operated with thin gloves.



- High Brightness 7" TFT color display, LED backlight
- 800x480 pixel (WVGA) resolution, 64K colors
- Projected Capacitive Touchscreen (PCT)
- 2 Ethernet ports with switch function
- 2 USB host ports
- SD Card Slot
- Optional plug-in modules
- Slim design. Mounting depth less than 50mm without plugin

Highlights

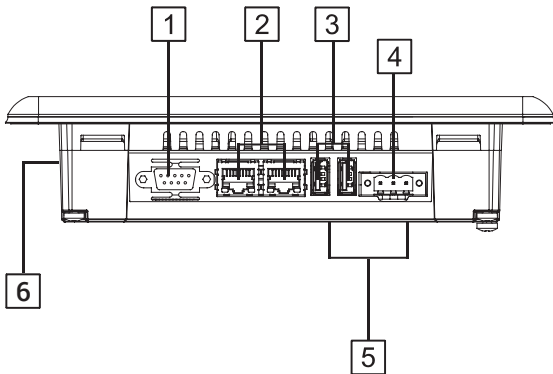
The eTOP Series 500 HMI panels have been designed to run the JMobile software.

- Compatible with JMobileStudio.
- Full vector graphic support. Native support of SVG graphic objects, transparency and alpha blending.
- Screen object dynamics: control visibility and transparency, move, resize, rotate any object on screen. Change properties of basic and complex objects.
- Multilanguage applications with TrueType fonts. Easily create, install and maintain applications in multiple languages to meet global requirements.
- Data display in numerical, text, bargraph, analog gauges and graphic image formats.
- Rich set of state-of-the-art HMI features: data acquisition and logging, trend presentation, alarm handling, scheduler and timed actions (daily and weekly schedulers, exception dates), recipes, security and user management, e-mail and RSS feeds.
- Wide selection of communication drivers available with multiple-driver communication capability.
- Remote monitoring and control with Client-Server functionality. Web interface based on HTML5
- Off-line and on-line simulation with JMobile Studio.
- Powerful scripting language for automating HMI applications. Efficient script debugger improves productivity in application development.
- Rich gallery of objects and symbols
- MediaPlayer widget
- IP Network camera widget
- Optional CODESYS integrated PLC.

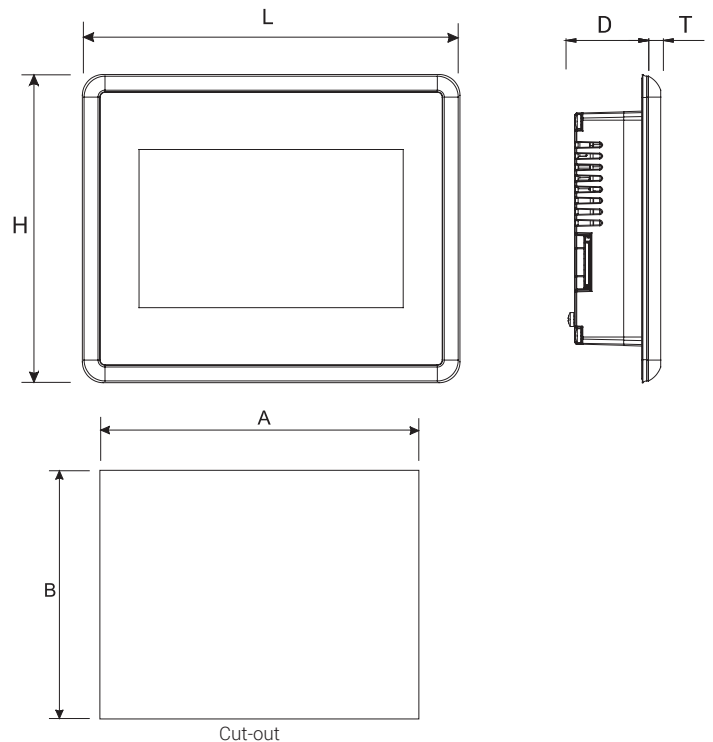
eTOP507FB - Technical Data



System Resources	
Display - Colors	7" TFT 16:9 LED - 64K
Resolution	800x480, WVGA
Brightness	400 Cd/m ² typ.
Dimming	to 0%
Touchscreen	True Glass Projected Capacitive
CPU	ARM Cortex-A8 - 1 GHz
Operating System	Microsoft Windows CE 6.0
Flash	256 MB
RAM	256 MB
Real Time Clock, RTC Back-up, Buzzer	Yes
Interface	
Ethernet port	2 (port 0 - 10/100, port 1 - 10/100) with integrated Switch
USB port	2 (Host V2.0, max. 500 mA)
Serial port	1 (RS-232, RS-485, RS-422, software configurable)
SD card	Yes
Expansion	2 slot for plug in modules
Ratings	
Power supply	24 Vdc (10 to 32 Vdc)
Current Consumption	0.9A at 24Vdc (max.)
Input Protection	Electronic
Battery	Rechargeable Lithium battery, not user-replaceable
Environment Conditions	
Operating Temp	-20° to +60 °C
Storage Temp	-40 to +85 °C
Operating / Storage Humidity	5-85% RH, non condensing
Protection Class	IP69K (front), IP20 (rear)
Dimensions and Weights	
Faceplate LxH	217x177 mm
Cutout AxB	176x136 mm (6.93x5.35")
Depth D+T	44 + 12.3 mm
Weight	2.5 Kg
Approvals	
CE	Emission EN 61000-6-4 Immunity EN 61000-6-2 for installation in industrial environments
UL	cULus: UL508



- 1 Serial Port
- 2 2x Ethernet Port
- 3 2x USB Port
- 4 Power Supply
- 5 2x Expansion slots for Plug-in modules
- 6 SD Card Slot for removable card



Ordering Information

Model	Part Number	Description
eTOP507MFB	+ETOP507MU1F1	7" widescreen TFT color projected capacitive touchscreen. Stainless steel bezel. Ethernet and USB interfaces. JMobile runtime. White front panel.
eTOP507MFB	+ETOP507MU4F1	7" widescreen TFT color projected capacitive touchscreen. Stainless steel bezel. Ethernet and USB interfaces. JMobile runtime. Blue front panel